

Air Hydraulic Pumps

6 cu. in./min., Double-Acting (PA6D Series)

Single-speed pump designed to drive double-acting cylinders. Generally recommended for tools or cylinders up to 15 ton.



Hoses, Fittings & Gauges
Pages
74-80



Pump Accessories
Pages
161-165



Cylinder/Pump Speed/Selection Chart
Page
178

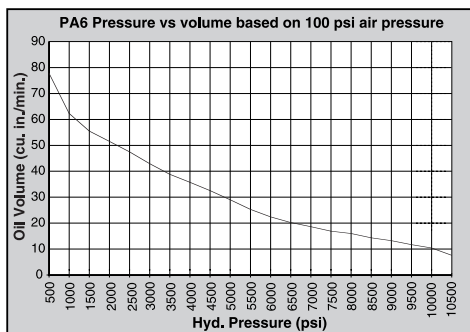


Choosing The Right Pump
Pages
181-184

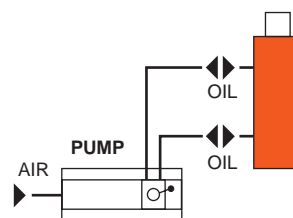


- Compact, lightweight and portable single-speed pump for driving double-acting cylinders.
- A quarter century record of proven reliability. The power unit of choice for major manufacturers of auto body and frame straighteners and other equipment.
- Operate at 40-100 psi shop air pressure at the pump.
- Internal relief valves protect circuit components, air inlet filter protects motor.
- All metal air motor, ductile iron pump. Serviceable pump motor is not a “throw away”, providing economical repair.
- Permanently vented reservoir cap.
- An inexpensive alternative to using manually operated pumps.
- Metal reservoir conversion kits and filters/regulators/lubricators found in accessories section. See pages 161-165.
- Four reservoir sizes available to best match your application.
- Four reservoir sizes available to best match your application.
- dBA 85 at 10,000 psi for all PA6 pumps.

PERFORMANCE

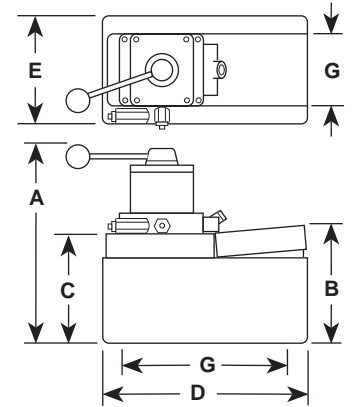


Typical Set-up
Hook-up for double-acting cylinders





PA6D pump, DG100 digital pressure gauge and 25 ton cylinder used in a test fixture.



DIMENSIONS (INCHES)

Pump No.	A	B	C	D	E	G
PA6D	10 $\frac{3}{4}$	5 $\frac{1}{2}$	4 $\frac{1}{2}$	9 $\frac{1}{2}$	5	4 x 9
PA6DM	10 $\frac{3}{4}$	5 $\frac{1}{2}$	4 $\frac{1}{2}$	9 $\frac{1}{2}$	5	4 x 9
PA6DM-1	11	5 $\frac{1}{4}$	4 $\frac{1}{2}$	12 $\frac{1}{2}$	7 $\frac{1}{2}$	none
PA6D2	12 $\frac{3}{4}$	8	7	11 $\frac{1}{6}$	9 $\frac{1}{4}$	5 $\frac{1}{2}$ x 7 $\frac{1}{2}$
PA6DM-2	12 $\frac{1}{2}$	7 $\frac{1}{4}$	6 $\frac{1}{4}$	11 $\frac{1}{2}$	9 $\frac{1}{2}$	8 x 10

ORDERING INFORMATION

See current price list for shipping weights.

Description	Order No.	Valve No.	Air Supply Req'd (psi)	Reservoir (cu. in.)		Oil Port	Prod. Wt. (lbs.)
				Cap.	Usable		
Base model pump with high density polyethylene reservoir.	PA6D	9504, 3-way/ 4-way	40-120	105	98	$\frac{3}{8}$ " NPTF	18.4
PA6D, except has metal reservoir.	PA6DM	9504, 3-way/ 4-way	40-120	105	98	$\frac{3}{8}$ " NPTF	20.4
PA6D, except has 1 gallon metal reservoir.	PA6DM-1	9504, 3-way/ 4-way	40-120	1 gal.	185	$\frac{3}{8}$ " NPTF	28.1
PA6D, except has 2 gallon, high density polyethylene reservoir.	PA6D2	9504, 3-way/ 4-way	40-120	2 gal.	454	$\frac{3}{8}$ " NPTF	28.6
PA6D, except has 2 $\frac{1}{2}$ gallon metal reservoir.	PA6DM-2	9504, 3-way/ 4-way	40-120	2 $\frac{1}{2}$ gal.	570	$\frac{3}{8}$ " NPTF	36.2