

Electric Hydraulic Pumps

55 cu. in./min. — 1½ hp (PE55 Vanguard® Series)

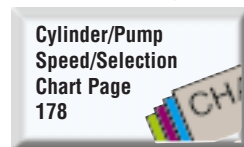
This is a proven pump for many of the toughest applications, and for starting under low voltage conditions. The PE55 pump has earned its place as the mainstay for heavy construction and the concrete stressing business world wide. Generally recommended for cylinders up to 200 tons.



Hoses, Fittings & Gauges
Pages
74-80



Pump
Accessories
Pages
161-165



Cylinder/Pump
Speed/Selection
Chart Page
178



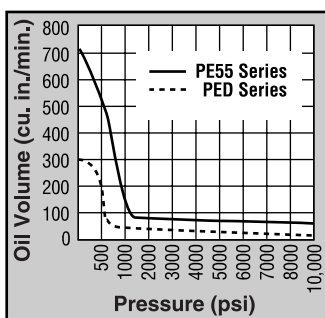
Choosing The
Right Pump
Pages
181-184

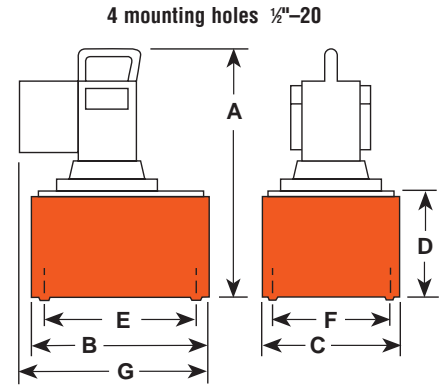


Technical Info
Page 174

- Two-speed high performance. Forty years of reliability and constant improvement make Vanguard® pumps a mainstay worldwide. Some original pumps are still in service!
- Designed for operating pressures to 10,000 psi. CSA rated for intermittent duty. Noise level of 90 dBA.
- Has 1½ hp, 12,000 rpm, 110/115 volt, 50/60 Hz universal motor; draws 25 amps at full load, starts at reduced voltage.
- Internal relief valve preset at 10,000 psi, 2½ gallon metal reservoir.
- All have 10 foot remote motor control except PE552S which has a 25 foot remote motor and valve control.
- True unloading valve achieves greater pump efficiency, allowing higher flows at maximum pressure.
- Reservoirs available in sizes up to 10 gallons. See accessories page 165.
- Light weight and portable. Best weight to performance ratio of all Power Team pumps.
- “Assemble to Order” System: There are times when a custom pump is required. Power Team’s “Assemble to Order” system allows you to choose from a wide range of pre-engineered, off-the-shelf components to build a customized pump to fit specific requirements. By selecting standard components you get a “customized” pump without “customized” prices. All pumps come fully assembled, less oil and ready for work. See pages 70-73.

PERFORMANCE





SPECIFICATIONS AND DIMENSIONS

Pump No.	rpm	Maximum Pressure Output	dBA at 10,000 psi	Amp Draw at 10,000 psi (115 V.)**	Oil Delivery (cu. in./min. @)				Dimensions (in.)								Product Weight With Oil (lbs.)
					100 psi	700 psi	5,000 psi	10,000 psi	A	B	C	D	E	F	G	H	
PE55 Series	12,000	10,000 psi	90/89*	25	704	440	74	56	18 1/4	11 1/2	9 1/2	7	10	8	14	-	65

* Noise level reading (dBA) measured at a 3 ft. distance, all sides.

** Amp draw at 10,000 psi, 230 Volts 50/60 Hz is 15 Amps.

ORDERING INFORMATION

See current price list for shipping weights.

SINGLE-ACTING

Description	Order No. ***	Valve			Control Switch ††	Motor	Reservoir (Usable)
		Type	No.	Function			
Base model 1 1/8 hp pump with 2 1/2 gal. reservoir, remote motor control & 3-way valve.	PE552	3-Way	9582	Advance Return**	Remote Motor	1 1/8 hp*, 110/115 VAC, 50/60 Hz, Single Phase	525 cu. in.
PE552, except also has solenoid operated remote valve.	PE552S	3-Way	9579	Advance Return	Remote Motor & Valve	1 1/8 hp*, 110/115 VAC, 50/60 Hz, Single Phase	525 cu. in.
PE552, except has "Auto Dump" valve.	PE552A [∞]	Auto/Dump	9610	Advance Hold Return	Remote Motor	1 1/8 hp*, 110/115 VAC, 50/60 Hz, Single Phase	525 cu. in.
1 1/8 hp pump with 2 1/2 gal. reservoir. Valve has "Posi-check" feature.	PE553	3-Way †	9520	Advance Hold Return	Remote Motor	1 1/8 hp*, 110/115 VAC, 50/60 Hz, Single Phase	525 cu. in.

DOUBLE-ACTING

Description	Order No. ***	Valve			Control Switch ††	Motor	Reservoir (Usable)
		Type	No.	Function			
Base model 1 1/8 hp pump with 2 1/2 gal. res. and 4-way valve for double-acting systems.	PE554	4-Way †	9506	Advance Hold Return	Remote Motor	1 1/8 hp*, 110/115 VAC, 50/60 Hz, Single Phase	525 cu. in.
PE554, except has 9500 tandem center valve.	PE554T	4-Way	9500	Advance Hold Return	Remote Motor	1 1/8 hp*, 110/115 VAC, 50/60 Hz, Single Phase	525 cu. in.
For use with single-acting Spring Seat, Stressing Jack or double-acting cylinder.	PE554P	4-Way	9500	Advance Hold Return	Remote Motor	1 1/8 hp*, 110/115 VAC, 50/60 Hz, Single Phase	525 cu. in.
For use with single-acting or double-acting Power Seat, Stressing Jacks ONLY.	PE554PT	4-Way	9628	Advance Hold Sequenced Return	Remote Motor	1 1/8 hp*, 110/115 VAC, 50/60 Hz, Single Phase	525 cu. in.
Pump suitable to run multiple spring return tools.	PE554C	4-Way	9511 †††	Advance Hold Return	Remote Motor	1 1/8 hp*, 110/115 VAC, 50/60 Hz, Single Phase	525 cu. in.
Pump equipped with 3/4-way solenoid valve.	PE554S	3/4-Way	9592	Advance Hold Return	Remote Motor & Valve	1 1/8 hp*, 110/115 VAC, 50/60 Hz, Single Phase	525 cu. in.

* Pumps available with 230 volt, 60/50 Hz motors. Specify voltage when ordering. See "Assemble to Order" pump options on pages 70-73.

** Holds with motor shut off.

*** To order PE55 series pumps with CSA approval, add "-C" to the Order No.

† Valves have "Posi-Check®" feature.

†† Control switch wired with line voltage. All remotes are 10 ft. long except for PE552S which is 25 ft. long.

††† Valving allows alternate and independent operation of two different spring return tools. Valve holds pressure only while valve is in "A" or "B" port position with pump motor shut off.

∞ Not to be used for lifting.