

RC Series

Locking Collar Pancake Cylinders

Single-Acting, Load Return 55-620 Ton



Small but Mighty!

Big things come in small packages and the new Power Team RC Series locking collar pancake cylinder is no exception. Lifting heavy loads where other cylinders will not fit, this line of cylinders helps get the job done in many applications from bridge repair to rigging machinery.

- Compact design - for use where space is limited
- Locking collar designed to support lifted load for extended periods of time with hydraulic pressure released
- Integral tilt saddle standard improves performance under side load
- Overflow port ("weep hole") prevents piston from being overextended under load
- Special coating improves corrosion and abrasion resistance

POWER TEAM®



Hydraulic Power Units
Hydraulic Cylinders
High Force Tools
Hydraulic Valves
Jacks

SPX FLUID POWER

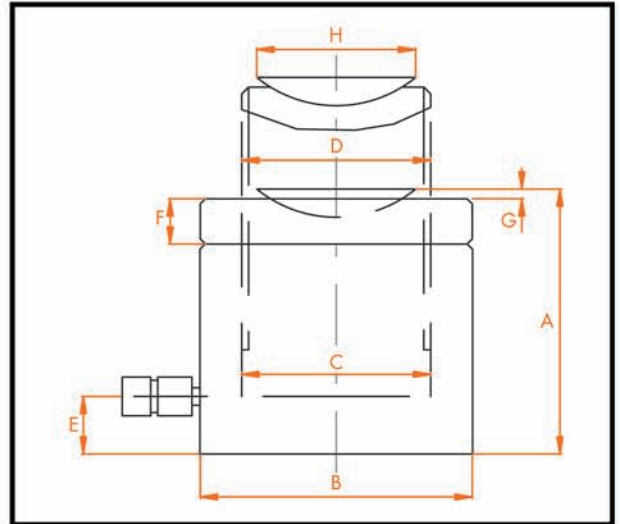
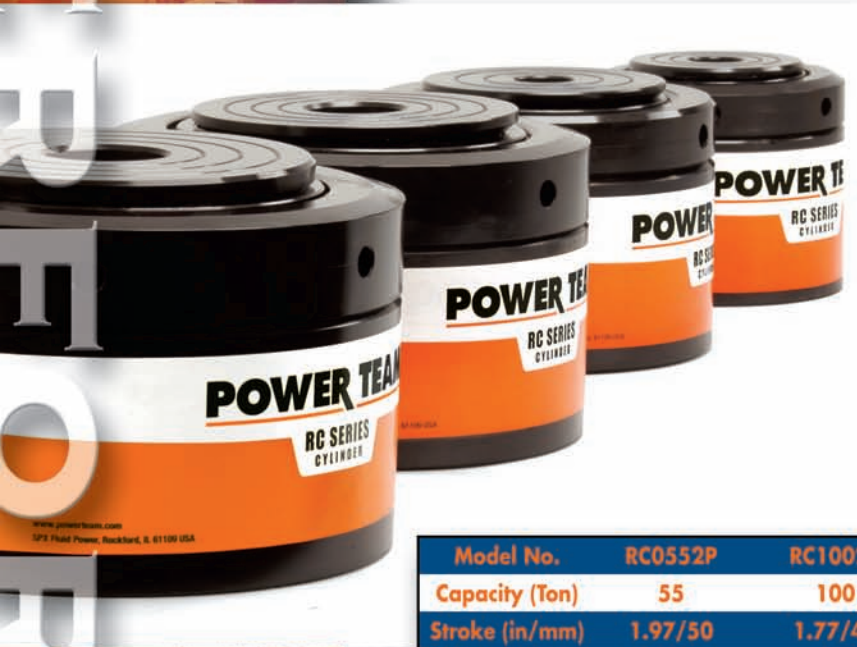
Your Global Force In Fluid Power

www.powerteam.com

RC Series

Locking Collar Pancake Cylinders

Single-Acting, Load Return 55-620 Ton



Model No.	RC0552P	RC1002P	RC1552P	RC2402P	RC3802P	RC6202P
Capacity (Ton)	55	100	155	240	380	620
Stroke (in/mm)	1.97/50	1.77/45	1.77/45	1.77/45	1.77/45	1.77/45
Oil Cap. (in ³ /cm ³)	21.66/355	36.43/597	55.23/905	86.23/1,413	134.74/2,208	220.78/3,618
Weight (lb/kg)	24.25/11	48.50/22	85.98/39	130.07/59	242.51/110	425.49/193
A (in/mm)	4.92/125	5.39/137	5.83/148	6.10/155	7.01/178	7.56/192
B (in/mm)	4.72/120	6.50/165	8.07/205	10.04/255	12.60/320	15.94/405
C (in/mm)	3.74/95	5.12/130	5.12/160	7.87/200	9.84/250	12.60/320
D (in/mm x TR*)	3.74/95x4	5.12/130x6	5.12/160x6	7.87/200x6	9.84/250x6	12.60/320x6
E (in/mm)	0.75/19	0.83/21	1.06/27	1.10/28	1.38/35	1.50/38
F (in/mm)	0.83/21	1.22/31	1.50/38	1.57/40	1.97/50	2.36/60
G (in/mm)	0.24/6	0.31/8	0.35/9	0.39/10	0.43/11	0.39/10
H (in/mm)	3.62/92	4.96/126	5.83/148	6.18/157	9.45/240	11.61/295

* Piston threads

Distributed by:



World Headquarters
The Americas Customer Service Center
 5885 11th Street
 Rockford, Illinois 61109
 Tel: 1-815-874-5556
 Customer Service/Order Entry
 Tel: 1-800-541-1418
 Fax: 1-800-288-7031
 Technical Services
 Tel: 1-800-477-8326
 Fax: 1-800-765-8326
 E-mail: info@powerteam.com



European Customer Service Center
 Albert Thijssraat 12
 6471 WX Egelshoven
 The Netherlands
 Tel: (31) 45 5678877
 Fax: (31) 45 5678878
 Email: infoeurope@powerteam.com



Asia Pacific Customer Service Center
 7 Gul Circle
 Singapore 629563, Singapore
 Tel: (65) 6265-3343
 Fax: (65) 6265-6646
 E-mail: infoasia@powerteam.com



China Customer Service Center
 212 Jiang Ning Road
 Catic Tower 23C
 Shanghai 200041, China
 Tel: (86-21) 5289-5858
 Fax: (86-21) 5289-5866
 E-mail: infochina@powerteam.com

POWER TEAM

Ordering Information / Model Numbers:
 RC0552P, RC1002P, RC1552P,
 RC2402P, RC3802P, RC6202P