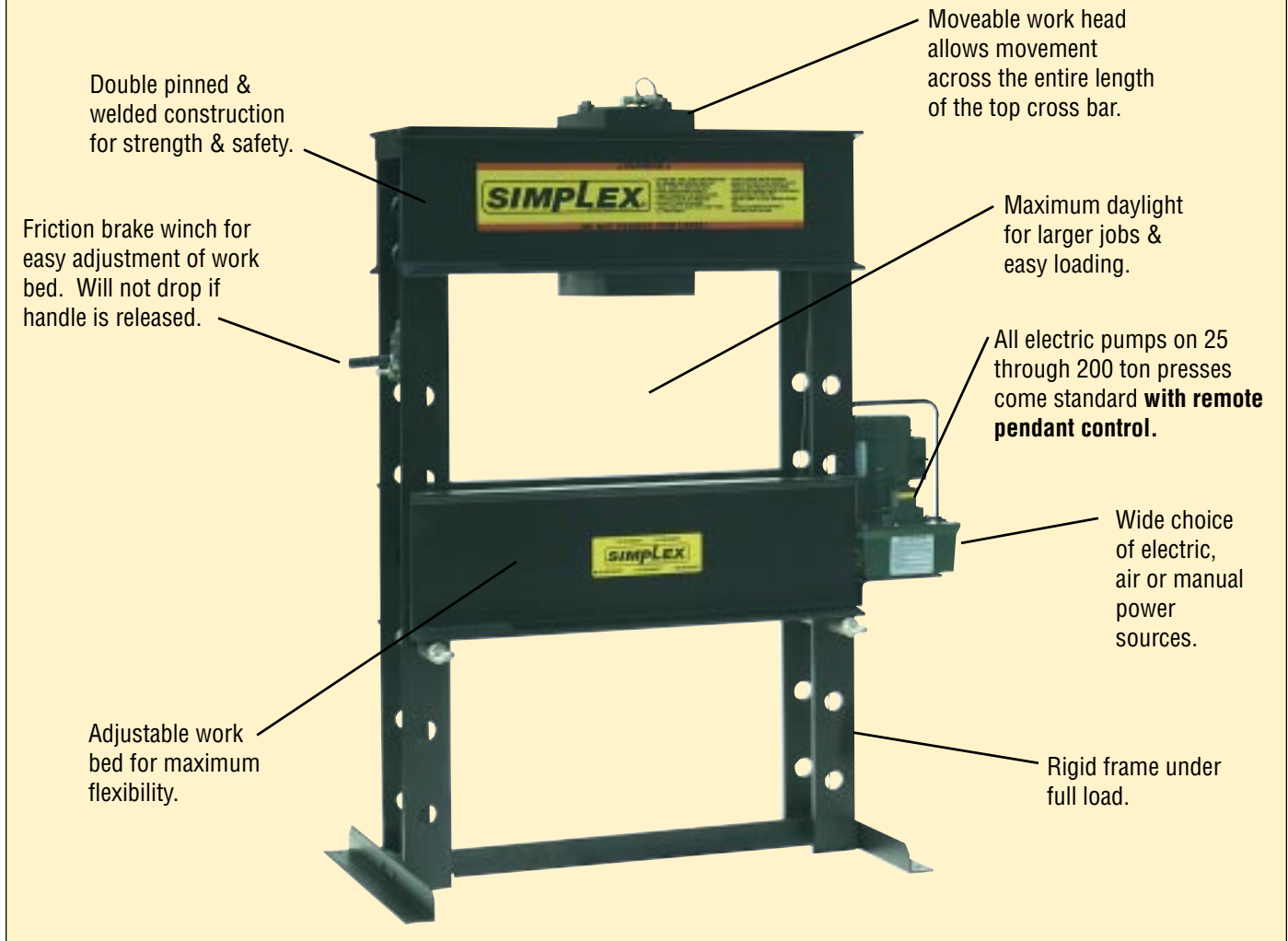


THE SIMPLEX PRESS



THE SIMPLEX PLUS

■ Wide Variety

Simplex offers presses with capacities from **5 through 200 tons**. Choose from a wide range of pressing, cylinder strokes & styles, and your choice of Simplex manual or power pumps. Choose from C-Frame or H-Frame designs.

■ Heavy Duty Construction/ Built for Safety

Simplex presses do not rely on "bolt together" construction for strength. Simplex H-Frames employ **double pinned and heavy duty welded construction**. This construction provides a frame that **is rigid** and provides an extra margin of safety.

■ Maximum Flexibility

All Simplex H-Frame Presses include a **moveable work head** that easily rolls across the **entire length** of the top cross bar. This allows the pressing force to be positioned at any point of the press bed. The **adjustable work bed** can be raised or lowered to accommodate a wide variety of jobs.

■ Maximum Daylight

Simplex presses have **large work areas** that accommodate larger jobs and makes loading and unloading easier. **Open sides** have large clearances for loading work through the side daylight.

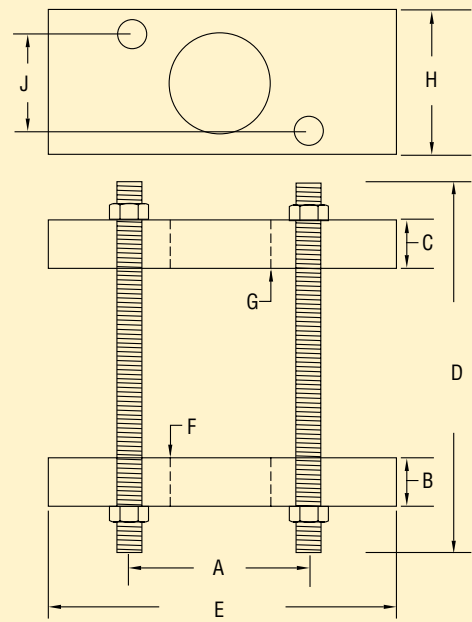
■ Easy To Use

H-Frame (25 ton & up) includes a friction brake winch that **adjusts the bed height** effortlessly and will not drop the bed if the handle is released (no kick back). The wide choice of pumps & valves provides a variety of controls. Moveable work head incorporates rollers for easy positioning.

■ Custom Build Your Press

Along with many standard models you can build custom presses by ordering the press without a pump. Order separately any Simplex pump & pump mounting kit that meets your requirements & you're ready for operation.

CYLINDER MOUNTING BLOCK KITS



Cylinder Mounting Block Kit	Presses Used On	A (in)	B (in)	C (in)	D (in)	E (in)	F Thrds. UN-2B (in)	G (in)	H (in)	J (in)
MC25	25 Ton Single Acting	5	1 1/2	1	12	10 3/4	3 5/16 x 12	3 1/2	6	*
MCD30	30 Ton Double Acting	5	1 1/2	1	12	10 3/4	3 5/16 x 12	4 1/8	6	*
MC55	55 Ton SA & DA	5	2	1 1/4	16	13 1/4	5 x 12	5 1/4	10	5
MC100	100 Ton Single Acting	7 21/32	2 1/2	2	21	16 1/2	6 1/4 x 12	7 1/4	10	6
MCD100	100 Ton Double Acting	7 21/32	2 1/2	2	21	16 1/2	7 x 12	7 1/4	10	6

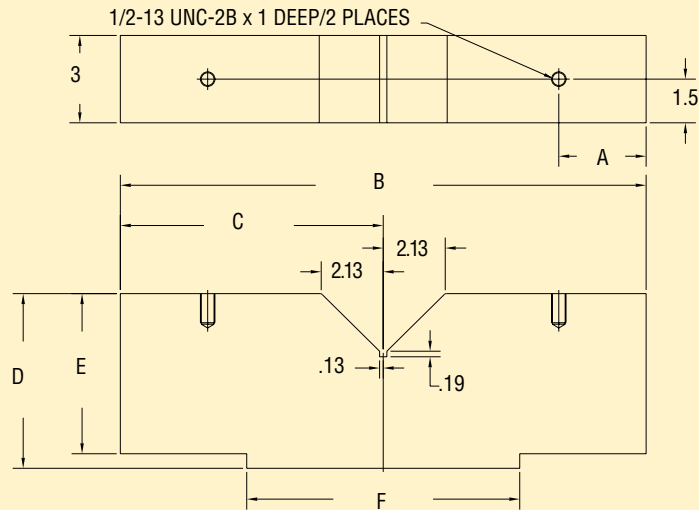
*Inline on center

Cylinder Block Kits Contain:

- (1) Top and bottom plate
- (2) Threaded Rods
- (2) Adjusting Nuts

V-BLOCK KITS

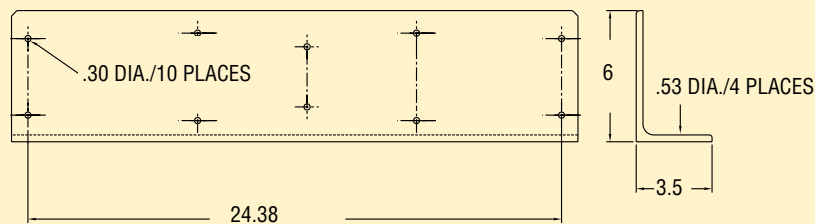
Cylinder Mounting Block Kit	Presses Used On	Contains
IVB55	55 Ton Presses	(2) V-Blocks
IVB100	100 Ton Presses	



V-BLOCK DIMENSIONS

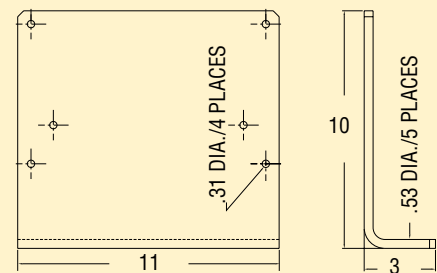
Cylinder Mounting Block Kit	A (in)	B (in)	C (in)	D (in)	E (in)	F (in)
IVB55	2.5	14.75	7.38	5	4.5	7.63
IVB100	3	18.06	9.03	6	5.5	9.38

IM2 HAND PUMP MOUNTING KIT



All mounting hardware is included.

IM3 POWER PUMP MOUNTING KIT



All mounting hardware is included.
Fits all 2 gallon & 10 Series 1 gallon reservoirs.

H-FRAME BENCH 10 & 15 TONS

PRESSES

Only Simplex offers Bench Presses with up to 15 ton capacities, moveable work heads and adjustable beds for maximum flexibility. For small production jobs, the adjustable bed eliminates wasted time approaching the work. IPB1010 & IPB1510 presses include a 10" stroke cylinder.

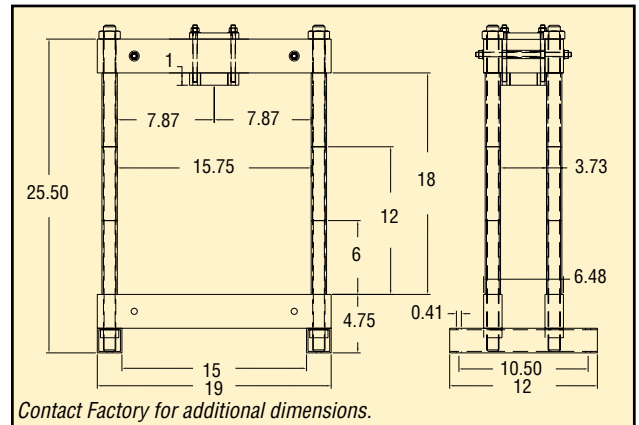


Model Number w/Cyl.	Cap. (tons)	Type	Ram	Stroke (in.)	Model Number w/o Cyl.	Weight (lbs.)
IPB1010	10	S/A	R1010	10 1/8	IPB10	142
IPB1510	15		R1510	10	IPB15	150

- 10 or 15 ton capacities.
- Adjustable bed.
- Moveable work head.
- Wide variety of power sources.
- Large daylight.
- Heavy duty construction.

Ordered Separately

Capacity (tons)	Suggested Hand Pump	Suggested Electric Pump	Suggested Hose	Suggested Gauge	Gauge Adaptor	Weight (lbs.)
10 ton 15 ton	P42	PEM2031	HC6	G6	GA1	130



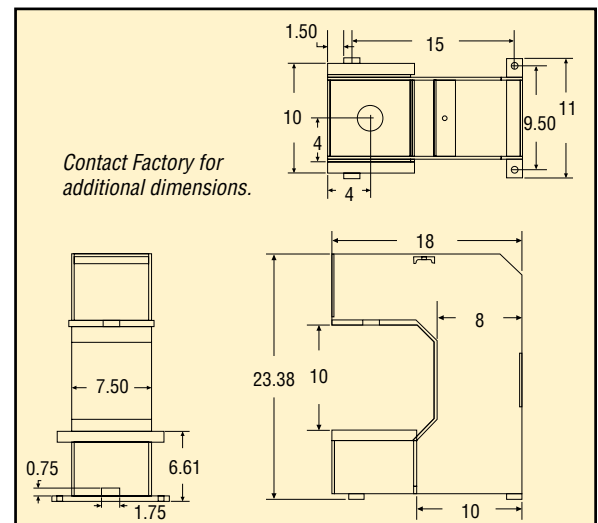
C-FRAME 5 & 10 TONS



The IPC5 & IPC10 Series hydraulic presses provide up to 5 or 10 ton capacities. Choose from a wide range of electric or air hydraulic power sources.

All models incorporate an open throat design that makes loading and unloading larger jobs fast and easy.

Model Number	Type of C-Frame	Capacity (tons)	Stroke (in.)	Weight (lbs.)
IPC5	R59 Cylinder Only	5	9	103
IPC10	R1010 Cylinder Only	10	10	110

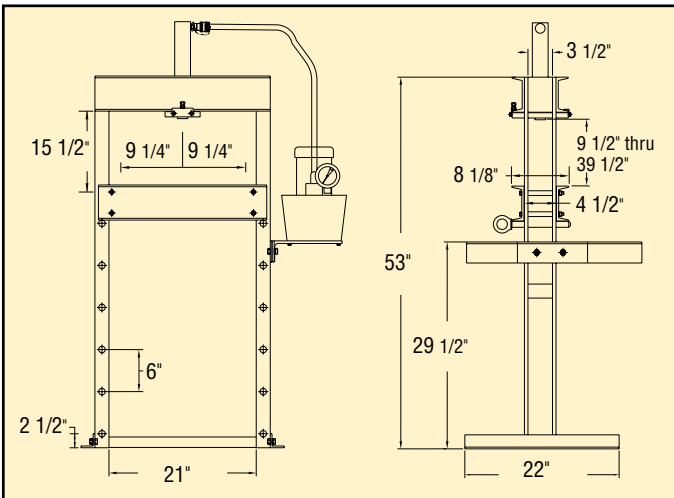


- Strong welded construction.
- Open throat design for easy loading.
- Mounting holes for solid bench mounting.
- Available with air, electric or manual power sources.

10 Ton Press Used In Assembly Of Manual Hoists.



- Single or double acting models available.
- Large daylight with open sides for easy loading.
- Heavy duty welded construction.
- Rigid frame under full load.
- Moveable work head for maximum versatility.
- Adjustable work bed.
- Compact & portable.
- Includes tonnage gauge.
- IED & IES Series comes with pendant control.



A manufacturer of small hoists performs light assembly effortlessly using the Simplex IMS-1010 ten ton press. "We use the press for a variety of light work that varies from job to job. The compact size doesn't take up a lot of floor space, and we can easily move the press to different locations in the shop."

10 Ton H-Frame Press

Model Number Without Pump	Model Number With Pump	Type of Cylinder	Cylinder Stroke (in)	Type of Pump	Pump Model	Operation	Speed (in/min)		Weight With Pump (lbs)	Weight Without Pump (lbs)
							Advance	Pressing		
IS1010	IAS1010	R1010 Single Acting 10 Ton Capacity	10 1/8	Air Powered	PA91	Advance Hold Retract	31	4.5	202	172
	IES1010			Electric Powered	PEM1021		104	9	204	
				Manual	P42		.38*	.06*	208	
ID1010	IED1010	RDA1010 D/A	10	Electric Powered	PEM1041		104	9	226	188
	IMD1010	10 Ton Capacity		Manual	P140D		1*	.10*	236	

* Inches Per Stroke.

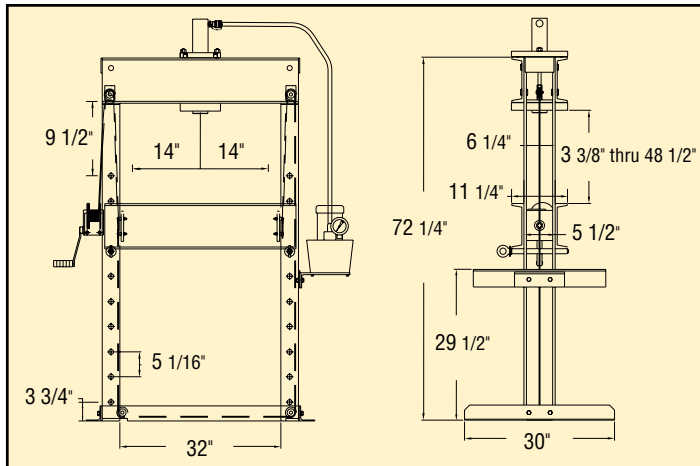
■ **Custom Build Your Press** by ordering press models without pumps. For foot or pendant control, higher pressing speeds or optional pump motors order separately the Simplex pump and pump mounting kit that meet your requirements, and you're ready for operation.

Pump Mounting Kit
 For Hand Pumps Model IM2
 For Power Pumps Model IM3
 See Page 94

Simplex 25 Ton Press Reduces Production Line Down Time.



- Large daylight with open sides for easy loading.
- Heavy duty welded construction.
- Rigid frame under full load.
- Moveable work head for maximum versatility.
- Adjustable work bed with friction brake winch.
- Wide choice of pumps & pressing cylinders.
- Includes tonnage gauge.
- IED & IES Series comes with pendant control.



A manufacturer of industrial gear boxes used the Simplex 25 ton press in their production assembly line to press various size bearings on gear assemblies. "We can press up to 100 bearings an hour with the Simplex press. The hydraulics are reliable and easy to use and they keep working day after day."

Pump Mounting Kit
 For Hand Pumps Model IM2
 For Power Pumps Model IM3
 See Page 94

Cylinder Mounting Kit
 Single-Acting Model MC25
 Included with Press
 See Page 94

25 and 30 Ton H-Frame Press

Model Number Without Pump	Model Number With Pump	Type of Cylinder	Cylinder Stroke (in)	Type of Pump	Pump Model	Operation	Speed (in/min)		Weight With Pump (lbs)	Weight Without Pump (lbs)
							Advance	Pressing		
IS256 IS2514	IAS256 IAS2514	R256/ R2514	6	Air Powered	PA91	Advance Hold Retract	14	2	417	----
	Single Acting	14	419						387	
ID3014	IED3014 IMD3014	25 Ton Capacity	6	Manual Powered	P140		.5*	.05*	435	403
	RDA3014	14	423						----	
									439	
				Electric	PES3042		40	3	462	428
				Manual	P140D	.5*	.05*	458		

* Inches Per Stroke.

■ **Custom Build Your Press** by ordering models without pumps. For foot or pendant control, higher pressing speeds or optional pump motors order separately the Simplex pump and pump mounting kit that meet your requirements, and you're ready for operation.

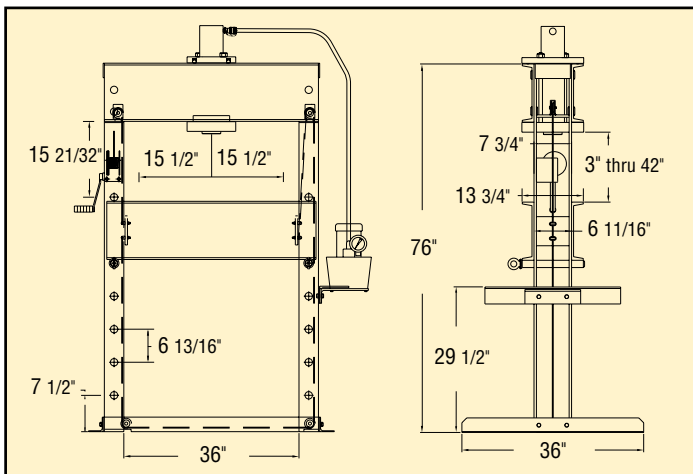
Simplex 55 Ton Press Handles Hundreds Of Different Jobs At Industrial Repair Shops.



- Large daylight with open sides for easy loading.
- Heavy duty construction.
- Rigid frame under full load.
- Moveable work head for maximum versatility.
- Adjustable work bed with friction brake winch.
- Wide choice of pumps & pressing cylinders.
- Choose double-acting presses for fast retraction.
- Includes tonnage gauge.
- IED & IES Series comes with pendant control.



Repair personnel were faced with a variety of difficult bending, pressing, straightening and disassembly jobs. "Almost every day we have to remove bearings, straighten cylinder rods, perform wheel repair, and rebuild gear boxes. The 55 ton press is perfect; it's adjustable bed and moveable work head gives us the flexibility to work on a wide variety of jobs."



Pump Mounting Kit	
For Hand Pumps	Model IM2
For Power Pumps	Model IM3
See Page 94	
Cylinder Mounting Kit	
Single & Double Acting	
Model MC55	
See Page 94	
Optional V-Blocks	
Come in Pairs	Model IVB55
See Page 94	

55 Ton H-Frame Press

Model Number Without Pump	Model Number With Pump	Type of Cylinder	Cylinder Stroke (in)	Type of Pump	Pump Model	Operation	Speed (in/min)		Weight With Pump (lbs)	Weight Without Pump (lbs)
							Advance	Pressing		
IS556	IES556	R556 S/A	6	Electric Powered	PEM1021	Advance Hold Retract	23	2	707	675
IS5513	IES5513	R5513 S/A	13						735	703
ID556	IED556	RDA556 D/A	6		PES4042		35	5	748	710
ID5512	IED5512	RDA5512 D/A	12						793	755
	IMS556	R556 S/A	6	Manual	P140	.25*	.02*	711	----	

* Inches Per Stroke.

■ **Custom Build Your Press** by ordering models without pumps. For foot or pendant control, higher pressing speeds or optional pump motors order separately the Simplex pump and pump mounting kit that meet your requirements, and you're ready for operation.

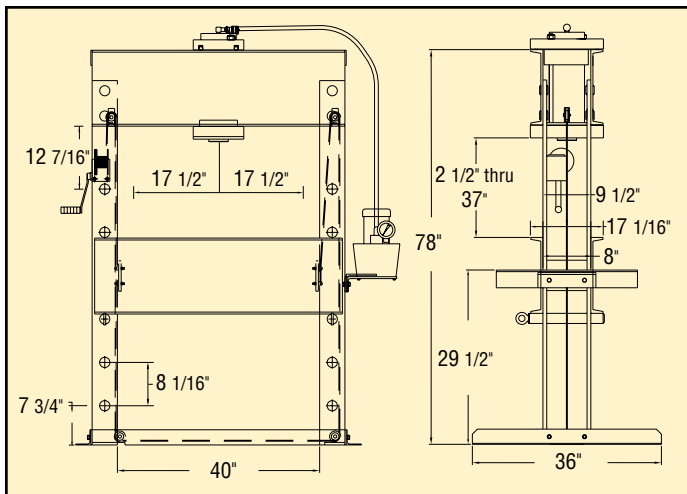
Simplex Presses Enhance Safety In High Force Pressing.



- Moveable work head for maximum versatility.
- Large daylight with open sides for easy loading.
- Heavy duty construction.
- Rigid frame under full load.
- Adjustable work bed with friction brake winch.
- Wide choice of pumps & pressing cylinders.
- Choose double-acting presses for fast retraction.
- Includes tonnage gauge.
- IED & IES Series comes with pendant control.



A machine shop needed to straighten forgings prior to machining. "We needed a pressing force of 100 tons and we didn't want to cut corners when it came to safety. Simplex presses do not rely on "bolt together" construction. Heavy duty pins, plus strong, welded construction across the upper bolster, puts the strength where it needs to be."



Pump Mounting Kit	
For Power Pumps	Model IM3
See Page 94	
Cylinder Mounting Kit	
Single-Acting	Model MC100
Double-Acting	Model MCD100
Included with press.	
See Page 94	
Optional V-Blocks	
Come in Pairs	Model IVB100
See Page 94	

100 Ton H-Frame Press

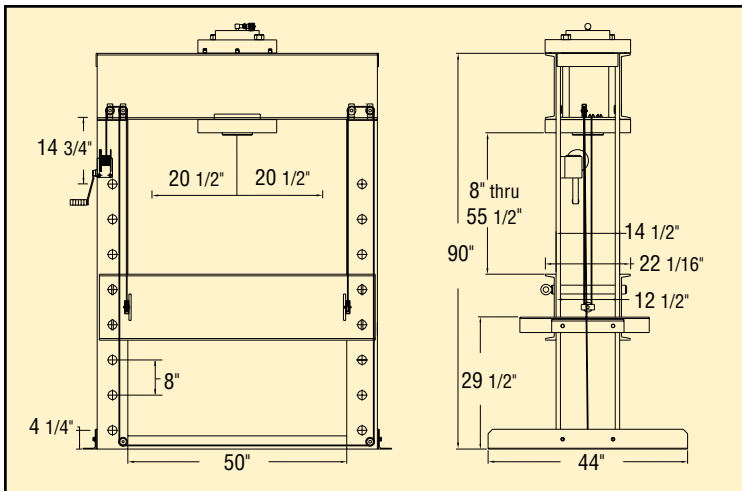
Model Number Without Pump	Model Number With Pump	Type of Cylinder	Cylinder Stroke (in)	Type of Pump	Pump Model	Operation	Speed (in/min)		Weight With Pump (lbs)	Weight Without Pump (lbs)
							Advance	Pressing		
IS1006	IES1006	R1006 S/A	6	Electric Powered	PES4032	Advance Hold Retract	19	2 3/4	1558	1470
IS10010	IES10010	R10010 S/A	10						1578	1490
ID1006	IED1006	RDA1006 D/A	6				19	2 3/4	1620	1532
ID10012	IED10012	RDA10012 D/A	12						1655	1567

■ Custom Build Your Press by ordering models without pumps. For foot or pendant control, higher pressing speeds or optional pump motors order separately the Simplex pump and pump mounting kit that meet your requirements, and you're ready for operation.

Simplex Monster Press Used In Rail Car Maintenance.



- Remote control.
- Fast double-acting hydraulics.
- Large daylight with open sides for easy loading.
- Moveable work head for maximum versatility.
- Adjustable work bed with friction brake winch.
- Heavy duty pin & welded construction frame.
- Rigid frame under full load.
- Includes Tonnage Gauge.
- IED Series comes with pendant control.



Rail car repair shops are constantly faced with large jobs, reforming rail car components, installing and removing bolster parts and straightening or bending under-carriage assemblies. These applications require a reliable and safe high tonnage press. "The Simplex Monster Press gave us just what we were looking for, a large work area and easy operation."

Presses ordered with pumps include remote pendant control and large 5 gallon reservoir. The pump is floor mounted.

150 & 200 Ton H-Frame Press

Model Number Without Pump	Model Number With Pump	Type of Cylinder	Cylinder Stroke (in)	Type of Pump	Pump Model	Operation	Speed (in/min)		Weight With Pump (lbs)	Weight Without Pump (lbs)
							Advance	Pressing		
ID15012	IED15012	RDA15012 D/A	12	Electric Powered	PES6045 230 3 Ph.	Advance, Hold Retract	20	4.5	3035	2839
ID20013	IED20013	RDA20013 D/A	13				14	3.5	3180	2984

■ **Custom Build Your Press** by ordering models without pumps. Order separately any Simplex pump and pump mounting kit that meet your requirements, and you're ready for operation.